

VERTICAL BATCH FREEZER EBG2 RANGE

EBG2配备有2个缸桶，常用于冰淇淋店、西餐厅等场所。该款产品的特点是不仅能展示怎样制作冰淇淋，还兼有存储冰淇淋的功能。控制系统有时间和温度两种控制模式，随时为您的客户提供最美味的冰淇淋。

这款设备同时具有冰淇淋凝冻机和展示柜的功能，所以我们使用它就不需要再购买其他产品。

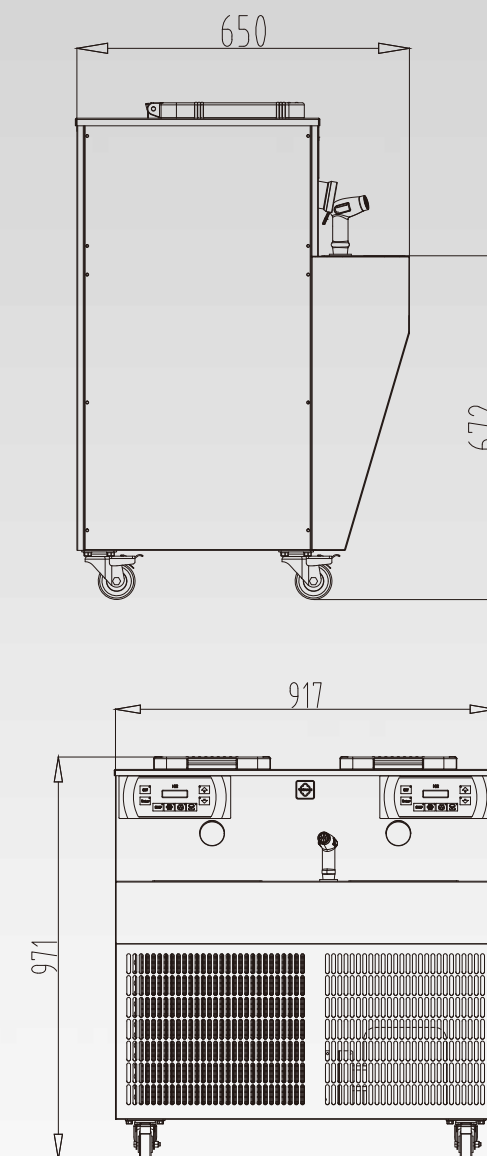
This machine appears with 2 tanks and it is usually placed inside gelato shop or more often in restaurants. The peculiarity of this machine is not only the style of making and showing how to make gelato, but also the technology inside. In fact this machine works by time and by degree offering always the most tasteful gelato to your customers.

By using this kind of machine we don't need any further equipment because it works both as batch freezer and showcase at the same time.



硬冰机系列 VERTICAL BATCH FREEZER EBG2	
型号 MODEL	EBG2
尺寸 (mm) DIMENSIONS (mm)	917x650x971
净重/毛重 (kg) WEIGHT NET/GROSS KG	130/150
电源V/Ph/Hz POWER SUPPLY V/Ph/Hz	220-240/1/50
功率 (W) POWER (W)	2000
落地式/桌上型 FREE-STANDING (F) / TABLE TOP (T)	F
缸体容积 (L) CAPACITY (L)	5 x 2
原料投放 (最少/最多) (L) INPUT (MIN/MAX) (L)	1 x 2 / 2 x 2
每批时间 (分钟) CYCLE TIME (min)	15-20
产能 (升) HOURLY PRODUCTION (lt)	(6-8) x 2
风冷 AIR COOLING	√
水冷 WATER COOLING	

*原料温度/Ingredients temperature 4°C
*环境温度/Environment temperature 25°C



该设备为落地式专为要求中小产量的客户设计，特别适用于酒店、酒吧、咖啡店等场所。

Free-standing machine for small- medium specific needs of gelato Chef. Especially design for restaurants or bars.