

HORIZONTAL BATCH FREEZER

MASTER10 RANGE

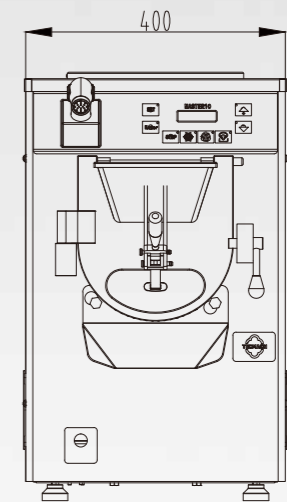
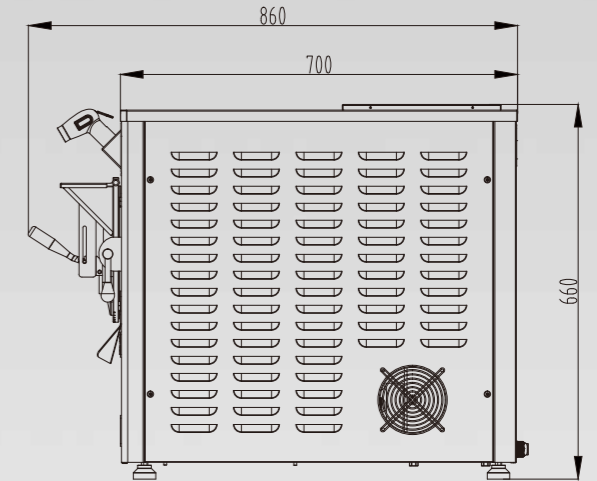
横桶冰淇淋凝冻机叫做MASTER是我们冰淇淋凝冻机系列中最新产品。凭借专业、先进和人性化的设计，使其成为极具吸引力的产品，能使冰淇淋大师得目标得到完美呈现。

The horizontal batch freezers called Master is the new latest product introduced in our range. It is a professionally advanced and user-friendly machine with appealing looking, allowing gelato chefs reach their target.



硬冰机系列 BATCH FREEZER MASTER10	
型号 MODEL	MASTER 10
尺寸 (mm) DIMENSIONS (mm)	400x700x600
净重/毛重 (kg) WEIGHT NET/GROSS KG	85/90
电源V/Ph/Hz POWER SUPPLY V/Ph/Hz	220/1/50
功率 (W) POWER (W)	1000
落地式/桌上型 FREE-STANDING (F) / TABLE TOP (T)	T
原料投放 (升) INPUT (L)	2
每批时间 (分钟) CYCLE TIME (min)	15-20
产能 (升) HOURLY PRODUCTION (lt)	8-10
风冷 AIR COOLING	√
水冷 WATER COOLING	

*原料温度/Ingredients temperature 4°C
 *环境温度/Environment temperature 25°C



台式机专为要求空间小、产量小的客户设计，特别适用于酒店、酒吧、咖啡店等场所。

Table top machine for small specific needs for gelato Chefs. Designed specifically for restaurants or bars.